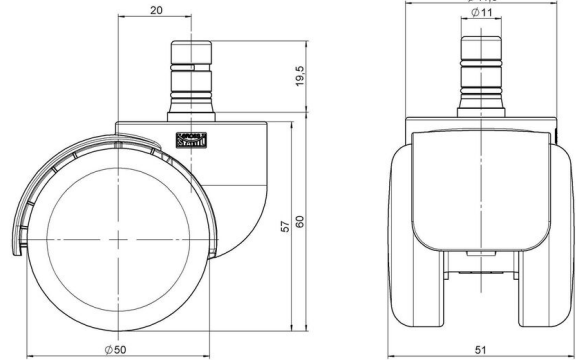


MOVE 50 classic

As of: March 13, 2026

Description	Model	Carton Quantity
MOVE 50 classic 42H	D517	250 pcs per Carton



## Technical Details

Product Type	Chair caster
Wheel diameter	50mm
Load capacity	50kg
Overall height with fixing	71mm
<b>Wheel:</b>	
Wheel type	Hard wheel
Wheel color	RAL 9005 Jet black
<b>Housing:</b>	
Housing form	hooded, with neck diameter
Neck diameter	42mm
Housing material	High quality nylon
Housing color	RAL 9005 Jet black
Mobility concept	Unloaded braked, rc®-System
Fixing	No-Noise™ Stem, 11x19,5mm Push fit stem with double circlips, 11,4mm
Description	DDKG517 -44X2NN

## Fixings

Compatible with the following available fixings:

### No-Noise™ Stem:

- 11x19,5mm with 11,4mm circlip
- 11x19,5mm with 110,6mm circlip

### Push fit stems:

- 10x22mm with 10,3mm circlip
- 10x22mm with 10,5mm circlip
- 11x19,5mm with 11,4mm circlip
- 11x19,5mm with 11,8mm circlip
- 11x22mm with 11,4mm circlip
- 11x22mm with 11,6mm circlip
- 11x22mm with 11,8mm circlip

### Threaded stems:

- M8x15mm
- M8x20mm
- M8x25mm
- M10x15mm
- M10x20mm
- M10x25mm
- M10x30mm
- M10x40mm
- M12x20mm

### Square plates:

- 38x38mm
- 55x55mm
- 60x60mm