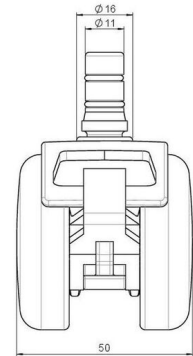
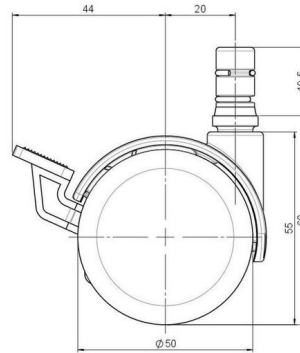


Standard D086

As of: April 03, 2026

Description	Model	Carton Quantity
DZBF 86 -44 X 2	D086	100 pcs per Carton



Technical Details

Product Type	Furniture caster
Wheel diameter	50mm
Load capacity	50kg
Overall height with fixing	60mm
Wheel:	
Wheel type	Hard wheel
Wheel color	RAL 9005 Jet black
Housing:	
Housing form	hooded, with neck diameter
Neck diameter	16mm
Housing material	Zinc die-cast
Housing color	Shiny chrome
Mobility concept	Stopper brake
Fixing	No-Noise™ Stem, 11x19,5mm Push fit stem with double circlips, 11,4mm
Description	DZBF 86 -44X2NN

Fixings

Compatible with the following available fixings:

No-Noise™ Stem:

- 11x19,5mm with 11,4mm circlip
- 11x19,5mm with 110,6mm circlip

Push fit stems:

- 10x22mm with 10,3mm circlip
- 10x22mm with 10,5mm circlip
- 11x19,5mm with 11,4mm circlip
- 11x19,5mm with 11,8mm circlip
- 11x22mm with 11,4mm circlip
- 11x22mm with 11,6mm circlip
- 11x22mm with 11,8mm circlip

Threaded stems:

- M8x15mm
- M8x20mm
- M8x25mm
- M10x15mm
- M10x20mm
- M10x25mm
- M10x30mm
- M10x40mm
- M12x20mm

Square plates:

- 38x38mm
- 55x55mm
- 60x60mm