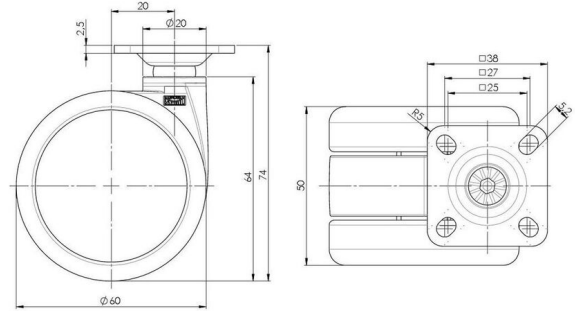


MOVE 60 elegance

As of: July 07, 2026

| Description          | Model | Carton Quantity    |
|----------------------|-------|--------------------|
| MOVE 60 elegance 20W | D660  | 100 pcs per Carton |



## Technical Details

|                            |  |
|----------------------------|--|
| Product Type               | Furniture caster                         |
| Wheel diameter             | 60mm                                     |
| Load capacity              | 60kg                                     |
| Overall height with fixing | 74mm                                     |
| <b>Wheel:</b>              |  |
| Wheel type                 | Soft wheel                               |
| Wheel core / tread color   | RAL 9005 Jet black / RAL 7022 Umbra grey |
| <b>Housing:</b>            |  |
| Housing form               | unhooded, with neck diameter             |
| Neck diameter              | 20mm                                     |
| Housing material           | Zinc die-cast                            |
| Housing color              | Shiny chrome                             |
| Mobility concept           | Freewheel                                |
| Fixing                     | 38x38mm Plate                            |
| Description                | DUZB660 - 2 X 1                          |

## Fixings

Compatible with the following available fixings:

### No-Noise™ Stem:

- 11x19,5mm with 11,4mm circlip
- 11x19,5mm with 110,6mm circlip

### Push fit stems:

- 10x22mm with 10,3mm circlip
- 10x22mm with 10,5mm circlip
- 11x19,5mm with 11,4mm circlip
- 11x19,5mm with 11,8mm circlip
- 11x22mm with 11,4mm circlip
- 11x22mm with 11,6mm circlip
- 11x22mm with 11,8mm circlip

### Threaded stems:

- M8x15mm
- M8x20mm
- M8x25mm
- M10x15mm
- M10x20mm
- M10x25mm
- M10x30mm
- M10x40mm
- M12x20mm

### Square plates:

- 38x38mm
- 55x55mm
- 60x60mm