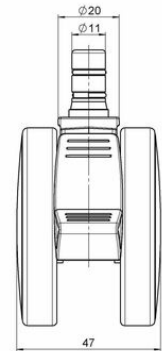
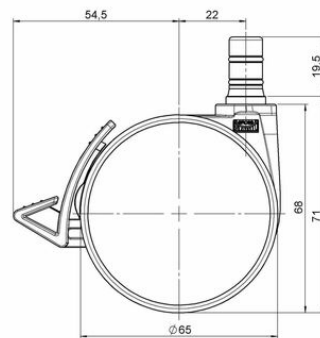


Description	Model	Carton Quantity
MOVE 65 Slim Line 20W	D565	150 pcs per Carton



Technical Details

Product Type	Furniture caster
Wheel diameter	65mm
Load capacity	50kg
Overall height with fixing	71mm
Wheel:	
Wheel type	Soft wheel
Wheel core / tread color	RAL 9005 Jet black / RAL 9005 Jet black
Housing:	
Housing form	unhooded, with neck diameter
Neck diameter	20mm
Housing material	High quality nylon
Housing color	RAL 9005 Jet black
Mobility concept	Delta-Feststeller, RAL 9005 Jet black
Fixing	No-Noise™ Stem, 11x19,5mm Push fit stem with double circlips, 11,65mm
Description	DUKF565 -27X2NN